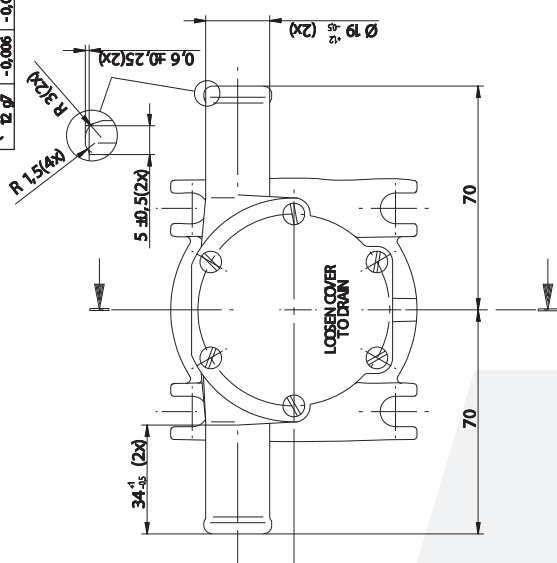
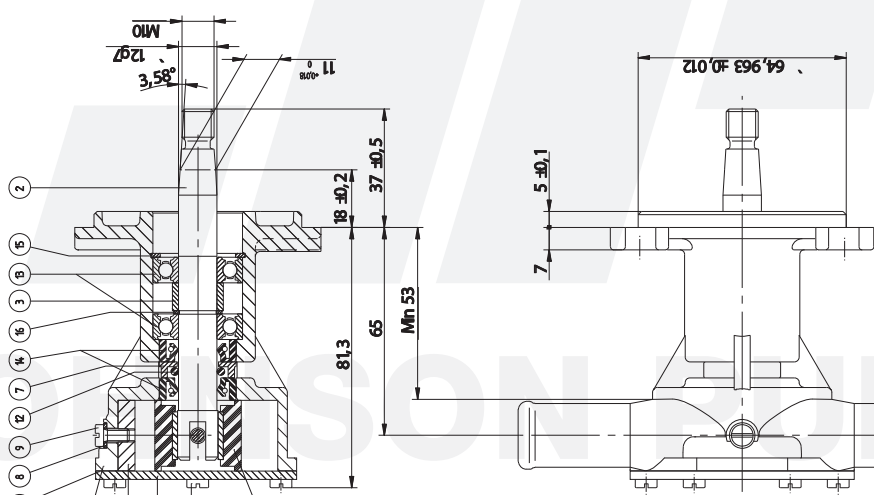
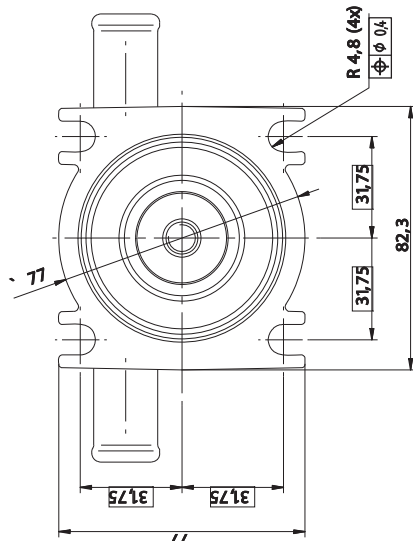


Customer Branded

ISO 9001:2015  
 ISO 14001:2015  
 ISO 45001:2018

Accuracy class G0  
 Maximum length of tolerance zone  
 12.0' -0.005 -0.024

**Parts list for pump 10-24752-01 (VP 3593655)**  
 Stycklista för pump 10-24752-01 (VP 3593655)

Item No.	Part no	Description	Material spec.	Non. Amt.
1	01-24683-1	BODY	CUZNSP625Hv	1
2	01-42491	Shaft (in die cast)	ANSI 320 (SUS 303L1)	1
3	01-42468	SPACER	11SMMP28	1
4	01-42368	CAM	CUZNSP625Hv	1
5	01-42367	ENDCOVER	CUZNSP625Hv	1
6	01-45284	GASKET	Cellulose based, NBR binder	1
7	01-45855	WASHER	Polycarbonate	1
8	01-46790-01	WASHER	CUZNSP625Hv	1
9	01-46794-03	SCREW	Steel ANSI 304	1
10	01-46794-03	SCREW	Steel ANSI 304	8
11	01-46794-03	SCREW	Steel ANSI 304	8
12	01-46794-03	SCREW	Steel ANSI 304	8
13	01-46794-03	SCREW	Steel ANSI 304	8
14	01-2283-010	LIP SEAL	11SMMP28	2
15	01-2283-010	LIP SEAL	11SMMP28	2
16	01-2283-010	LIP SEAL	11SMMP28	2
17	08-10288-01	IMPELLER	Rubber chloroprene	1

Detaljnr enligt stycklista  
 Part nos according to parts list

Item No.	Part no	Description	Material spec.	Non. Amt.
1	01-24683-1	BODY	CUZNSP625Hv	1
2	01-42491	Shaft (in die cast)	ANSI 320 (SUS 303L1)	1
3	01-42468	SPACER	11SMMP28	1
4	01-42368	CAM	CUZNSP625Hv	1
5	01-42367	ENDCOVER	CUZNSP625Hv	1
6	01-45284	GASKET	Cellulose based, NBR binder	1
7	01-45855	WASHER	Polycarbonate	1
8	01-46790-01	WASHER	CUZNSP625Hv	1
9	01-46794-03	SCREW	Steel ANSI 304	1
10	01-46794-03	SCREW	Steel ANSI 304	8
11	01-46794-03	SCREW	Steel ANSI 304	8
12	01-46794-03	SCREW	Steel ANSI 304	8
13	01-46794-03	SCREW	Steel ANSI 304	8
14	01-2283-010	LIP SEAL	11SMMP28	2
15	01-2283-010	LIP SEAL	11SMMP28	2
16	01-2283-010	LIP SEAL	11SMMP28	2
17	08-10288-01	IMPELLER	Rubber chloroprene	1

ISO 9001:2015  
 ISO 14001:2015  
 ISO 45001:2018

Accuracy class G0  
 Maximum length of tolerance zone  
 12.0' -0.005 -0.024

ISO 9001:2015  
 ISO 14001:2015  
 ISO 45001:2018

Accuracy class G0  
 Maximum length of tolerance zone  
 12.0' -0.005 -0.024

The product, i.e. concept, design and construction, is the property of SPX Johnson Pump Marine AB

Engine Cooling, flange-mounted pumps

65