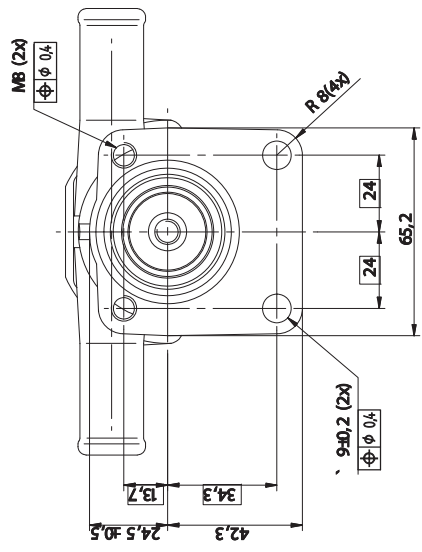
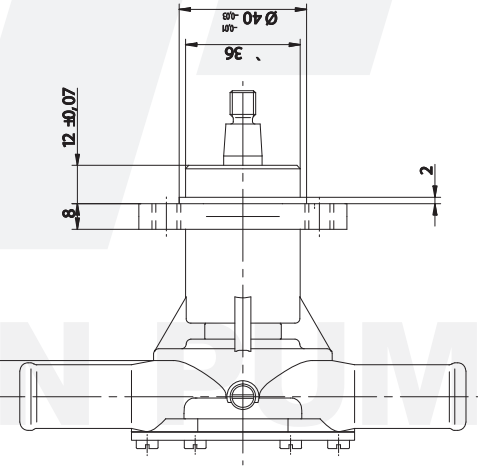
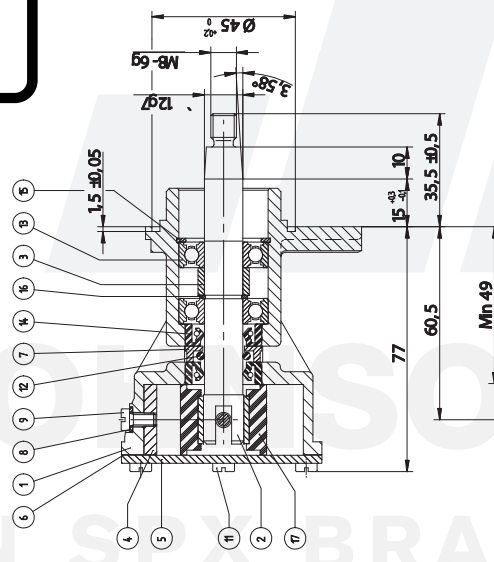
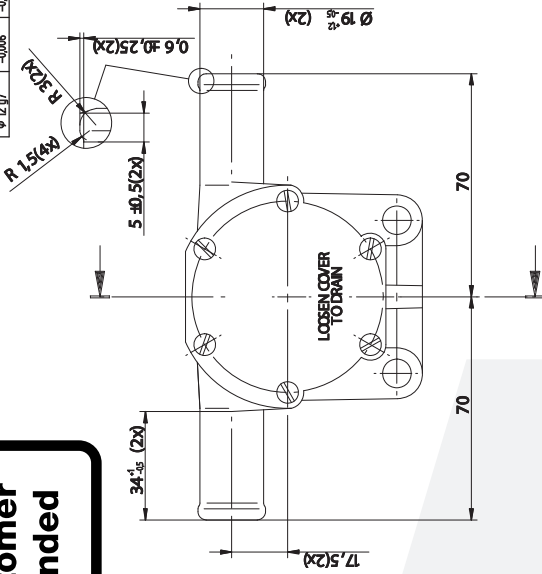


Customer Branded



Parts list for pump 10-24751-01 (VP 3593654)
signature for pump 10-24751-01 (VP 3593654)

Item No	Part no	Description	Material spec.	Non. Avail
1	01-24482-1	BODY (measure die cast)	CuZn39Pb28Sn	1
2	01-48462	SHAFT	AlSi 329 (SUS 320A1)	1
3	01-48466	SPACER	1T SMIP5 28	1
4	01-46268	CAM	CuZn39Pb28Sn	1
5	01-46800	ENDCOVER	CuZn37	1
6	01-46294	GASKET	Cellulose based, NBR binder	1
7	01-46885	WASHER	Polycarbonate	1
8	01-46784-31	SCREW	CuZn37	1
9	01-46784-30	SCREW	CuZn37	1
10	01-46784-30	SCREW	CuZn37	1
11	01-273-401	O-RING	Steel AISI 304	6
12	01-273-401	O-RING	Rubber nitrile	6
13	01-273-441	BALL BEARING	Size ISO 6/01	2
14	01-2233-010	LP SEAL	Rubber nitrile	2
15	01-0371-028	RETAIN. RING	Steel HV440-510	1
16	01-0370-012	EXT. O-RING	Steel HV440-510	1
17	08-10288-01	IMPELLER	Rubber chloroprene	1

Rthing nr	03-24571	Pump nr/ stycklista	10-24571-01	Pump typ	F4B-903
Drawing no	03-24571	Pump no/ parts list	3593654 + veckakod 3593654 + Weak code	Pump typ	F4B-903
				Markning på lock	
				Mark on endcover	

Detaljer enligt stycklista
Part nos according to parts list

UNLESS OTHERWISE STATED THE DIMENSIONS ARE IN MILLIMETERS (INCHES)	UNLESS OTHERWISE STATED THE DIMENSIONS ARE IN MILLIMETERS (INCHES)
REVISIONS	REVISIONS
DATE	DATE
BY	BY
CHKD	CHKD
APP'D	APP'D
DESIGN	DESIGN
MANUFACTURE	MANUFACTURE
TESTING	TESTING
DATE	DATE
BY	BY
CHKD	CHKD
APP'D	APP'D
DESIGN	DESIGN
MANUFACTURE	MANUFACTURE
TESTING	TESTING
DATE	DATE
BY	BY
CHKD	CHKD
APP'D	APP'D
DESIGN	DESIGN
MANUFACTURE	MANUFACTURE
TESTING	TESTING
DATE	DATE
BY	BY
CHKD	CHKD
APP'D	APP'D
DESIGN	DESIGN
MANUFACTURE	MANUFACTURE
TESTING	TESTING
DATE	DATE
BY	BY
CHKD	CHKD
APP'D	APP'D
DESIGN	DESIGN
MANUFACTURE	MANUFACTURE
TESTING	TESTING
DATE	DATE
BY	BY
CHKD	CHKD
APP'D	APP'D
DESIGN	DESIGN
MANUFACTURE	MANUFACTURE
TESTING	TESTING
DATE	DATE
BY	BY
CHKD	CHKD
APP'D	APP'D
DESIGN	DESIGN
MANUFACTURE	MANUFACTURE
TESTING	TESTING
DATE	DATE
BY	BY
CHKD	CHKD
APP'D	APP'D
DESIGN	DESIGN
MANUFACTURE	MANUFACTURE
TESTING	TESTING
DATE	DATE
BY	BY
CHKD	CHKD
APP'D	APP'D
DESIGN	DESIGN
MANUFACTURE	MANUFACTURE
TESTING	TESTING
DATE	DATE
BY	BY
CHKD	CHKD
APP'D	APP'D
DESIGN	DESIGN
MANUFACTURE	MANUFACTURE
TESTING	TESTING
DATE	DATE
BY	BY
CHKD	CHKD
APP'D	APP'D
DESIGN	DESIGN
MANUFACTURE	MANUFACTURE
TESTING	TESTING
DATE	DATE
BY	BY
CHKD	CHKD
APP'D	APP'D
DESIGN	DESIGN
MANUFACTURE	MANUFACTURE
TESTING	TESTING
DATE	DATE
BY	BY
CHKD	CHKD
APP'D	APP'D
DESIGN	DESIGN
MANUFACTURE	MANUFACTURE
TESTING	TESTING
DATE	DATE
BY	BY
CHKD	CHKD
APP'D	APP'D
DESIGN	DESIGN
MANUFACTURE	MANUFACTURE
TESTING	TESTING
DATE	DATE
BY	BY
CHKD	CHKD
APP'D	APP'D
DESIGN	DESIGN
MANUFACTURE	MANUFACTURE
TESTING	TESTING
DATE	DATE
BY	BY
CHKD	CHKD
APP'D	APP'D
DESIGN	DESIGN
MANUFACTURE	MANUFACTURE
TESTING	TESTING
DATE	DATE
BY	BY
CHKD	CHKD
APP'D	APP'D
DESIGN	DESIGN
MANUFACTURE	MANUFACTURE
TESTING	TESTING
DATE	DATE
BY	BY
CHKD	CHKD
APP'D	APP'D
DESIGN	DESIGN
MANUFACTURE	MANUFACTURE
TESTING	TESTING
DATE	DATE
BY	BY
CHKD	CHKD
APP'D	APP'D
DESIGN	DESIGN
MANUFACTURE	MANUFACTURE
TESTING	TESTING
DATE	DATE
BY	BY
CHKD	CHKD
APP'D	APP'D
DESIGN	DESIGN
MANUFACTURE	MANUFACTURE
TESTING	TESTING
DATE	DATE
BY	BY
CHKD	CHKD
APP'D	APP'D
DESIGN	DESIGN
MANUFACTURE	MANUFACTURE
TESTING	TESTING
DATE	DATE
BY	BY
CHKD	CHKD
APP'D	APP'D
DESIGN	DESIGN
MANUFACTURE	MANUFACTURE
TESTING	TESTING
DATE	DATE
BY	BY
CHKD	CHKD
APP'D	APP'D
DESIGN	DESIGN
MANUFACTURE	MANUFACTURE
TESTING	TESTING
DATE	DATE
BY	BY
CHKD	CHKD
APP'D	APP'D
DESIGN	DESIGN
MANUFACTURE	MANUFACTURE
TESTING	TESTING
DATE	DATE
BY	BY
CHKD	CHKD
APP'D	APP'D
DESIGN	DESIGN
MANUFACTURE	MANUFACTURE
TESTING	TESTING
DATE	DATE
BY	BY
CHKD	CHKD
APP'D	APP'D
DESIGN	DESIGN
MANUFACTURE	MANUFACTURE
TESTING	TESTING
DATE	DATE
BY	BY
CHKD	CHKD
APP'D	APP'D
DESIGN	DESIGN
MANUFACTURE	MANUFACTURE
TESTING	TESTING
DATE	DATE
BY	BY
CHKD	CHKD
APP'D	APP'D
DESIGN	DESIGN
MANUFACTURE	MANUFACTURE
TESTING	TESTING
DATE	DATE
BY	BY
CHKD	CHKD
APP'D	APP'D
DESIGN	DESIGN
MANUFACTURE	MANUFACTURE
TESTING	TESTING
DATE	DATE
BY	BY
CHKD	CHKD
APP'D	APP'D
DESIGN	DESIGN
MANUFACTURE	MANUFACTURE
TESTING	TESTING
DATE	DATE
BY	BY
CHKD	CHKD
APP'D	APP'D
DESIGN	DESIGN
MANUFACTURE	MANUFACTURE
TESTING	TESTING
DATE	DATE
BY	BY
CHKD	CHKD
APP'D	APP'D
DESIGN	DESIGN
MANUFACTURE	MANUFACTURE
TESTING	TESTING
DATE	DATE
BY	BY
CHKD	CHKD
APP'D	APP'D
DESIGN	DESIGN
MANUFACTURE	MANUFACTURE
TESTING	TESTING
DATE	DATE
BY	BY
CHKD	CHKD
APP'D	APP'D
DESIGN	DESIGN
MANUFACTURE	MANUFACTURE
TESTING	TESTING
DATE	DATE
BY	BY
CHKD	CHKD
APP'D	APP'D
DESIGN	DESIGN
MANUFACTURE	MANUFACTURE
TESTING	TESTING
DATE	DATE
BY	BY
CHKD	CHKD
APP'D	APP'D
DESIGN	DESIGN
MANUFACTURE	MANUFACTURE
TESTING	TESTING
DATE	DATE
BY	BY
CHKD	CHKD
APP'D	APP'D
DESIGN	DESIGN
MANUFACTURE	MANUFACTURE
TESTING	TESTING
DATE	DATE
BY	BY
CHKD	CHKD
APP'D	APP'D
DESIGN	DESIGN
MANUFACTURE	MANUFACTURE
TESTING	TESTING
DATE	DATE
BY	BY
CHKD	CHKD
APP'D	APP'D
DESIGN	DESIGN
MANUFACTURE	MANUFACTURE
TESTING	TESTING
DATE	DATE
BY	BY
CHKD	CHKD
APP'D	APP'D
DESIGN	DESIGN
MANUFACTURE	MANUFACTURE
TESTING	TESTING
DATE	DATE
BY	BY
CHKD	CHKD
APP'D	APP'D
DESIGN	DESIGN
MANUFACTURE	MANUFACTURE
TESTING	TESTING
DATE	DATE
BY	BY
CHKD	CHKD
APP'D	APP'D
DESIGN	DESIGN
MANUFACTURE	MANUFACTURE
TESTING	TESTING
DATE	DATE
BY	BY
CHKD	CHKD
APP'D	APP'D
DESIGN	DESIGN
MANUFACTURE	MANUFACTURE
TESTING	TESTING
DATE	DATE
BY	BY
CHKD	CHKD
APP'D	APP'D
DESIGN	DESIGN
MANUFACTURE	MANUFACTURE
TESTING	TESTING
DATE	DATE
BY	BY
CHKD	CHKD
APP'D	APP'D
DESIGN	DESIGN
MANUFACTURE	MANUFACTURE
TESTING	TESTING
DATE	DATE
BY	BY
CHKD	CHKD
APP'D	APP'D
DESIGN	DESIGN
MANUFACTURE	MANUFACTURE
TESTING	TESTING
DATE	DATE
BY	BY
CHKD	CHKD
APP'D	APP'D
DESIGN	DESIGN
MANUFACTURE	MANUFACTURE
TESTING	TESTING
DATE	DATE
BY	BY
CHKD	CHKD
APP'D	APP'D
DESIGN	DESIGN
MANUFACTURE	MANUFACTURE
TESTING	TESTING
DATE	DATE
BY	BY
CHKD	CHKD
APP'D	APP'D
DESIGN	DESIGN
MANUFACTURE	MANUFACTURE
TESTING	TESTING
DATE	DATE
BY	BY
CHKD	CHKD
APP'D	APP'D
DESIGN	DESIGN
MANUFACTURE	MANUFACTURE
TESTING	TESTING
DATE	DATE
BY	BY
CHKD	CHKD
APP'D	APP'D
DESIGN	DESIGN
MANUFACTURE	MANUFACTURE
TESTING	TESTING
DATE	DATE
BY	BY
CHKD	CHKD
APP'D	APP'D
DESIGN	DESIGN
MANUFACTURE	MANUFACTURE
TESTING	TESTING
DATE	DATE
BY	BY
CHKD	CHKD
APP'D	APP'D
DESIGN	DESIGN
MANUFACTURE	MANUFACTURE
TESTING	TESTING
DATE	DATE
BY	BY
CHKD	CHKD
APP'D	APP'D
DESIGN	DESIGN
MANUFACTURE	MANUFACTURE
TESTING	TESTING
DATE	DATE
BY	BY
CHKD	CHKD
APP'D	APP'D
DESIGN	DESIGN
MANUFACTURE	MANUFACTURE
TESTING	TESTING
DATE	DATE
BY	BY
CHKD	CHKD
APP'D	APP'D
DESIGN	DESIGN
MANUFACTURE	MANUFACTURE
TESTING	TESTING
DATE	DATE
BY	BY
CHKD	CHKD
APP'D	APP'D
DESIGN	DESIGN
MANUFACTURE	MANUFACTURE
TESTING	TESTING
DATE	DATE
BY	BY
CHKD	CHKD
APP'D	APP'D
DESIGN	DESIGN
MANUFACTURE	MANUFACTURE
TESTING	TESTING
DATE	DATE
BY	BY
CHKD	CHKD
APP'D	APP'D
DESIGN	DESIGN
MANUFACTURE	MANUFACTURE
TESTING	TESTING
DATE	DATE
BY	BY
CHKD	CHKD
APP'D	APP'D
DESIGN	DESIGN
MANUFACTURE	MANUFACTURE
TESTING	TESTING
DATE	DATE
BY	BY
CHKD	CHKD
APP'D	APP'D
DESIGN	DESIGN
MANUFACTURE	MANUFACTURE
TESTING	TESTING
DATE	DATE
BY	BY
CHKD	CHKD
APP'D	APP'D
DESIGN	DESIGN
MANUFACTURE	MANUFACTURE
TESTING	TESTING
DATE	DATE
BY	BY
CHKD	CHKD
APP'D	APP'D
DESIGN	DESIGN
MANUFACTURE	MANUFACTURE
TESTING	TESTING
DATE	DATE
BY	BY
CHKD	CHKD
APP'D	APP'D
DESIGN	