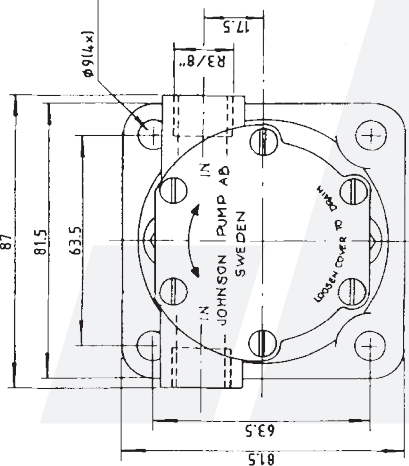


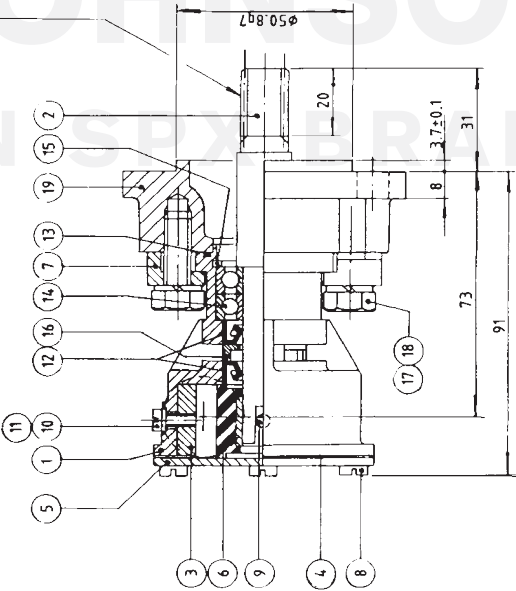
10-24321

pump F4B-9

Part No.	50.867
Order Code	-0.010 -0.020



SPLINE SPECIFICATION	
NO. OF TEETH	12
MODUL	1.0
MAJOR DIA.	14
PRESSURE ANGLE	20°



PUMP NO.	PUMPTYPE	CAM NO.	THICKNESS	SCREW	WASHER NO.	PCS.
10-24321-01	F4B-9	01-42389	1/1	5.3	05-04-114	1
10-24321-02	F4B-903	01-45288	2/3	4.0	05-04-163	2
10-24321-03	F4B-902	01-45084	1/2	2.5	05-04-163	2

* 1 Service kit	09-45866
19 1 Mellanfångs - Adapter	01-35287-1
18 2 Bricka - Washer	05-02-101
17 2 Skruv - Screw	05-04-621
16 1 Distansbricka - Spacer	01-45282
15 1 Risting - Retaining ring	05-34-131
14 2 Kullager - Ballbearing	05-08-503
13 1 O-ring	05-06-521
12* 2 Lappfånging - Lipseal	05-29-139
11 Bricka - Washer	See Table
10 1 Skruv - Screw	See Table
9 1 Skruv - Screw	05-04-124
8* 6 Skruv - Screw	05-04-163
7 2 Klamma - Clamp	01-42328
6* 1 Impeller	08-810-8
5 1 LÖK - Endcover	01-45282
4* 1 Packning - Gasket	01-45284
3 1 Kam - Cam	See Table
2 1 Axel - Shaft	01-35293
1 1 Pumphus - Body	01-35239

JOHNSON PUMP
 OMSÄNDNING
 1973

Check reference number for following applica-
 tion:
 Motor
 Shaft and/or bracket
 Spare parts
 Accessories

Order No. 87-05-11
 Drawing or Drawing no. 10-24321

Scale 1:1

Material

Part No. / Title / Description / Quantity / Unit

Check reference number for following applica-
 tion:
 Motor
 Shaft and/or bracket
 Spare parts
 Accessories

Order No. 87-05-11
 Drawing or Drawing no. 10-24321

Scale 1:1

Material

Part No. / Title / Description / Quantity / Unit