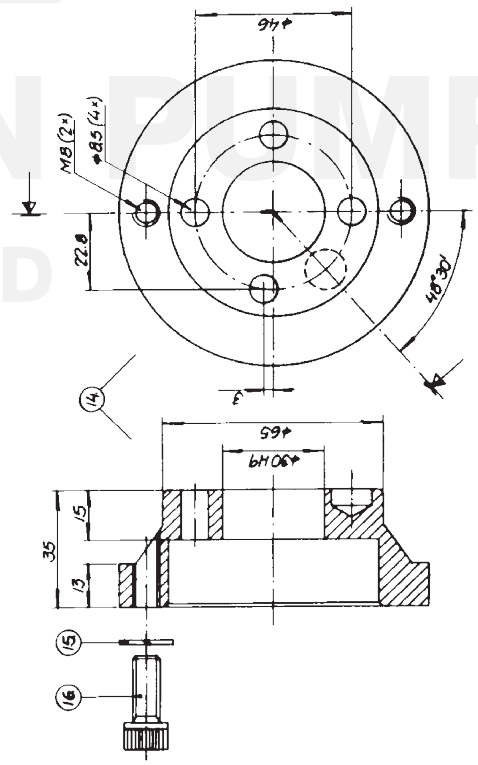


10-24214-6	F4B-902	1/2	2.6	01-45084	2
10-24214-5	F4B-903	1/2	4.0	01-45081	1
10-24214-4	F4B-9	1/2	5.3	01-45080	1
10-24214-3	F4B-902	1/2	2.3	01-45084	2
10-24214-2	F4B-903	1/2	4.0	01-45081	1
10-24214-1	F4B-9	1/2	5.3	01-45080	1
10-24214-6	F4B-902	1/2	2.6	01-45084	2
10-24214-5	F4B-903	1/2	4.0	01-45081	1
10-24214-4	F4B-9	1/2	5.3	01-45080	1
10-24214-3	F4B-902	1/2	2.3	01-45084	2
10-24214-2	F4B-903	1/2	4.0	01-45081	1
10-24214-1	F4B-9	1/2	5.3	01-45080	1



F4B-9 Impeller pump  
 Art. No. 10-24214-1  
 Service Kit No. 09-45875

Part no.	Description GB	Position	Quantity
01-24213	BODY F4B-9	1	1
01-45668	SHAFT F4B-9	2	1
01-45680	CAM 1/1 F4B-9	3	1
01-45282	ENDCOVER F4B-9	4	1
08-810B-1	IMPELLER	5	1
01-45284	GASKET F4B-9	6	1
01-45669	WASHER F4B-8/-9	7	1
01-35183-1	CARRIER F4B-9	8	1
0.0279.501	SCREW M4X8 ISO1207	9	7
01-46790-01	WASHER D7.5XD4X1 CU	11	1
0.2233.251	LIP SEAL 12X24X7 B	12	1
0.3431.748	BALL BEARING 6001 2 RS1 ST	13	2
01-35184	ADAPTOR F4B/F5B/F6B-9	14	1
0.0383.309	SPRINGWASH DB.2 DIN127 STZN	15	2
0.0257.036	ALLENSCREW M8X20 ISO4762 8.8ZN	16	2

The drawing is the property of Johnson Pump AB. It is not to be reproduced, stored in a retrieval system, or transmitted in any form or by any means, electronic, mechanical, photocopying, recording, or by any information storage and retrieval system, without the prior written permission of Johnson Pump AB.

Johnson Pump AB  
 Type F4B-9, 10-24214  
 Date: 09-06-10  
 Rev: 10-24214

Carrier complete - Medrigare komplett 09-45804  
 09-45804, 09-45872 THIN  
 860515 TL