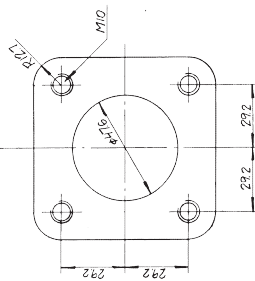
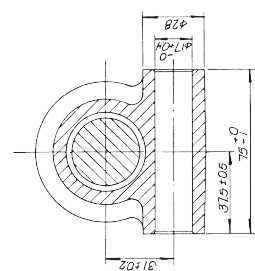
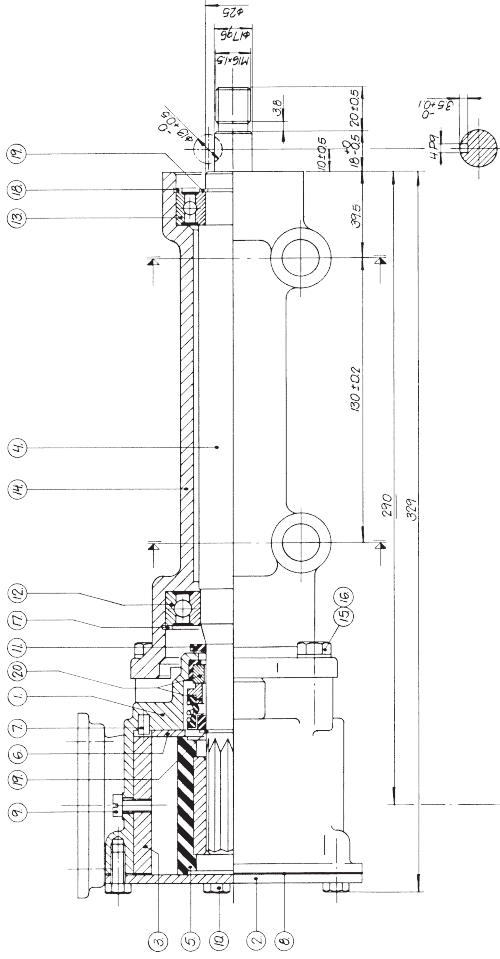


Pump No.	Parttype	Thickness	Cam No.	Screw	Mark on endcover
10-13088-01	F8B-902	1/2	01-42422-1	10-147958	10-147958
10-13088-02	F8B-902	1/2	01-42422-1	10-147958	10-147958
10-13088-03	F8B-903	2/3	01-42422-1	10-147958	10-147958

F8B-9 Impeller Pump  
Art. No. 10-13088-01



Part. No.	Description GB	Position	Quantity
01-13002-1	BODY F8B-	1	1
01-42422-1	ENDCOVER F8B/F9B-	2	1
01-42680	CAM 1/1 F8B-	3	1
01-35294	SHAFT F8B-9	4	1
08-819B	IMPELLER F8B-9	5	1
01-42423	WEARPLATE F8/F80/F9/F96B-	6	1
01-42426	PIN	7	1
01-42424	GASKET F8B/F9B-	8	1
01-46784-02	SCREW 1/4"-20UNCX1.0 AL BRONZE	9	1
0.0144.003	BOLT 1/4"-20UNCX1/2" SS1943	10	5
01-42427-15	SLINGER F8/F9B-	11	1
0.3431.746	BALL BEARING 6206 2 RS1 ST	12	1
0.3431.001	BALL BEARING 6205 2 RS C3 ST	13	1
01-24324	BEARING HOUSING F8B-9	14	1
0.0144.002	BOLT 5/16"-18UNCX20 SS1943	15	4
0.0352.609	ELASTOWASH DB.4XD16X0.8	16	4
0.0371.062	RETAIN. RING BORE D62 DIN472 SPRST	17	1
0.0371.052	RETAIN. RING BORE D52 DIN472 SPRST	18	1
0.0370.825	EXT. CIRCLIP D25 DIN471 ST	19	2
0.2247.051	MECH.SEAL COMPL 1" 106BT2C1	20	1

Rev.	Date	By	Appr.	Part No.	Quantity	Material	Remarks
1/27	10.10.07	ENG		10-13088-01	1	AL BRONZE	NEW DESIGN
2/16	10.10.07	ENG		10-13088-01	1	AL BRONZE	NEW DESIGN
3/17	10.10.07	ENG		10-13088-01	1	AL BRONZE	NEW DESIGN
4/17	10.10.07	ENG		10-13088-01	1	AL BRONZE	NEW DESIGN
5/17	10.10.07	ENG		10-13088-01	1	AL BRONZE	NEW DESIGN
6/17	10.10.07	ENG		10-13088-01	1	AL BRONZE	NEW DESIGN
7/17	10.10.07	ENG		10-13088-01	1	AL BRONZE	NEW DESIGN
8/17	10.10.07	ENG		10-13088-01	1	AL BRONZE	NEW DESIGN
9/17	10.10.07	ENG		10-13088-01	1	AL BRONZE	NEW DESIGN
10/17	10.10.07	ENG		10-13088-01	1	AL BRONZE	NEW DESIGN
11/17	10.10.07	ENG		10-13088-01	1	AL BRONZE	NEW DESIGN
12/17	10.10.07	ENG		10-13088-01	1	AL BRONZE	NEW DESIGN
13/17	10.10.07	ENG		10-13088-01	1	AL BRONZE	NEW DESIGN
14/17	10.10.07	ENG		10-13088-01	1	AL BRONZE	NEW DESIGN
15/17	10.10.07	ENG		10-13088-01	1	AL BRONZE	NEW DESIGN
16/17	10.10.07	ENG		10-13088-01	1	AL BRONZE	NEW DESIGN
17/17	10.10.07	ENG		10-13088-01	1	AL BRONZE	NEW DESIGN
18/17	10.10.07	ENG		10-13088-01	1	AL BRONZE	NEW DESIGN
19/17	10.10.07	ENG		10-13088-01	1	AL BRONZE	NEW DESIGN
20/17	10.10.07	ENG		10-13088-01	1	AL BRONZE	NEW DESIGN

**Johnson Impellerpump**  
 Type F8B-9, 10-13088  
 Part No. 10-13088-01  
 Rev. 1/1  
 Date 10-10-07  
 Drawn by 10-13088-01